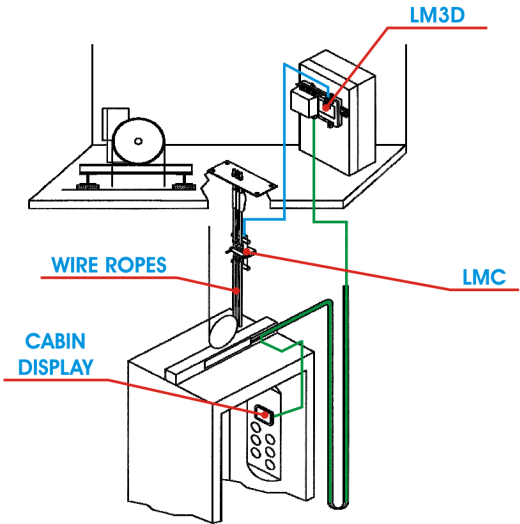


# LM3D & LMC - INSTALLATION:



## ROPING 2:1

