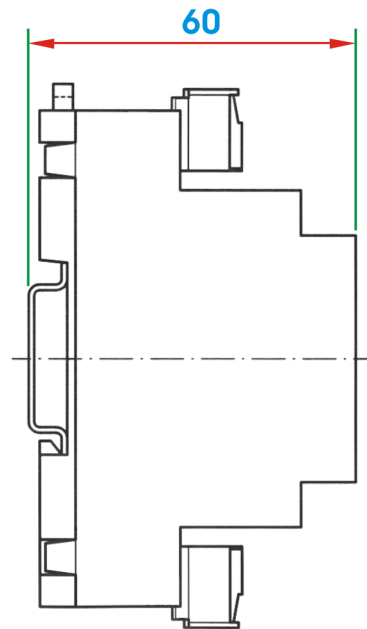
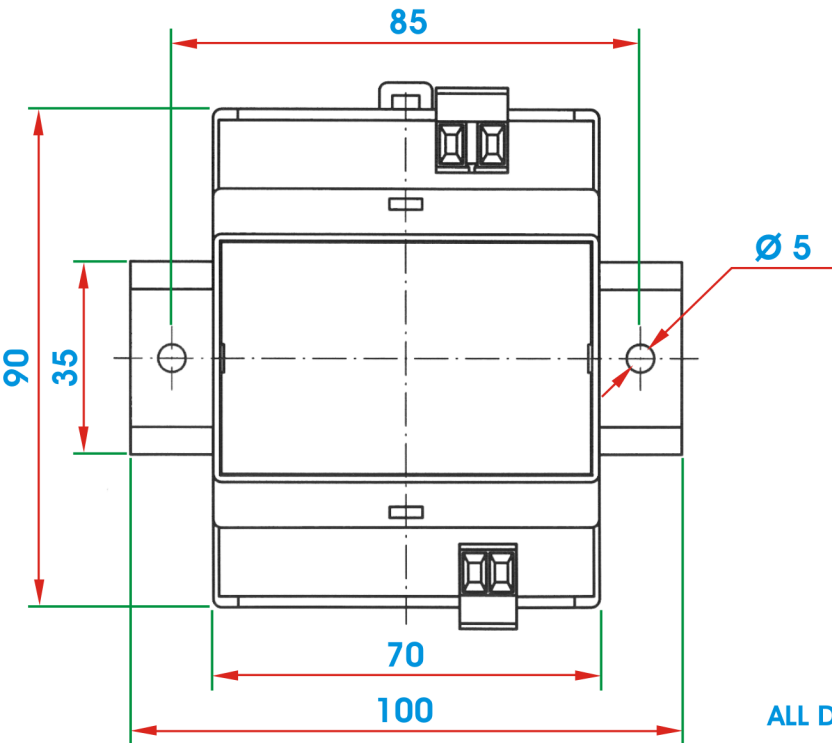


# FA - DIMENSIONS:



ALL DIMENSION IN MILLIMETRES